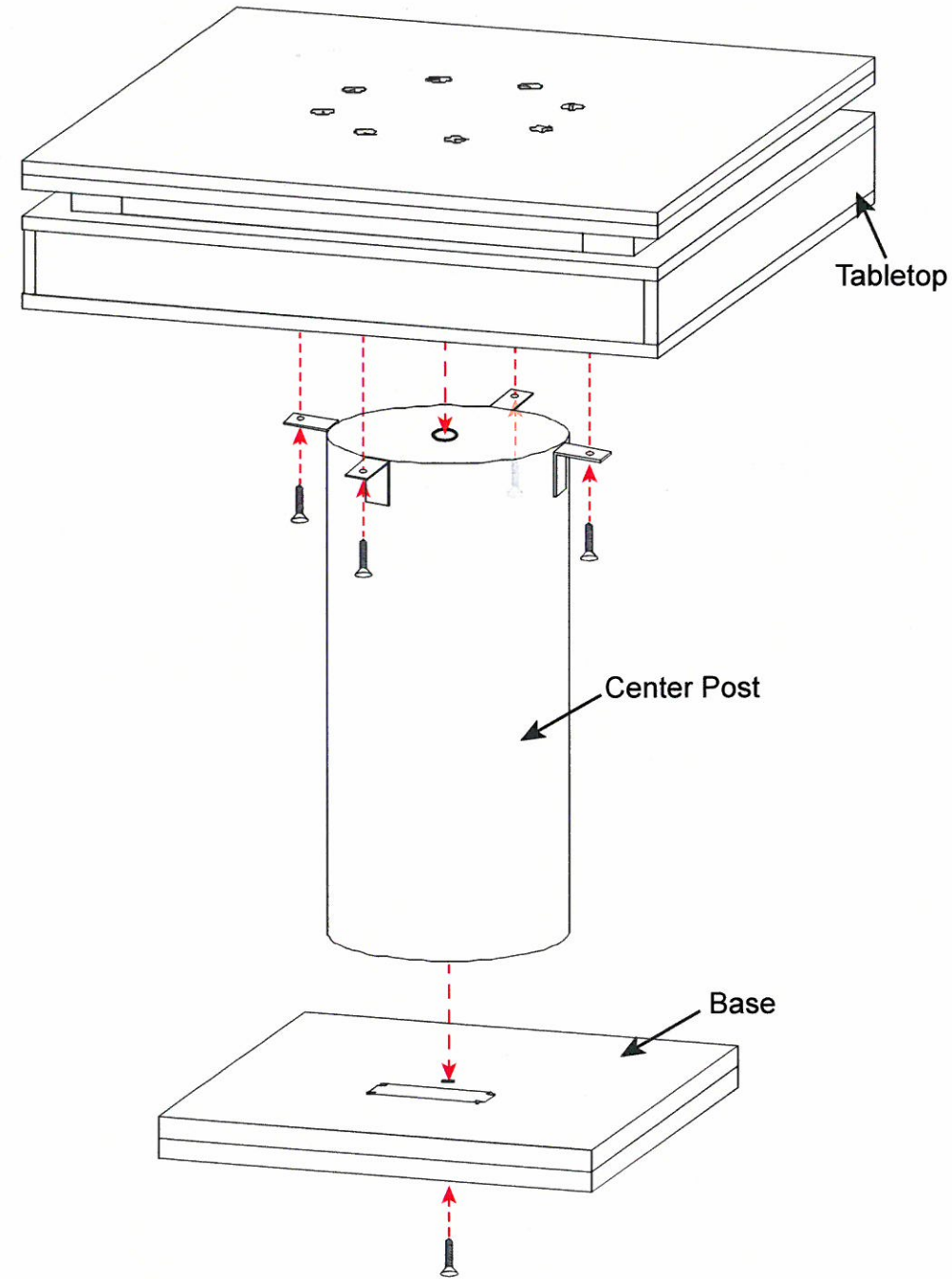
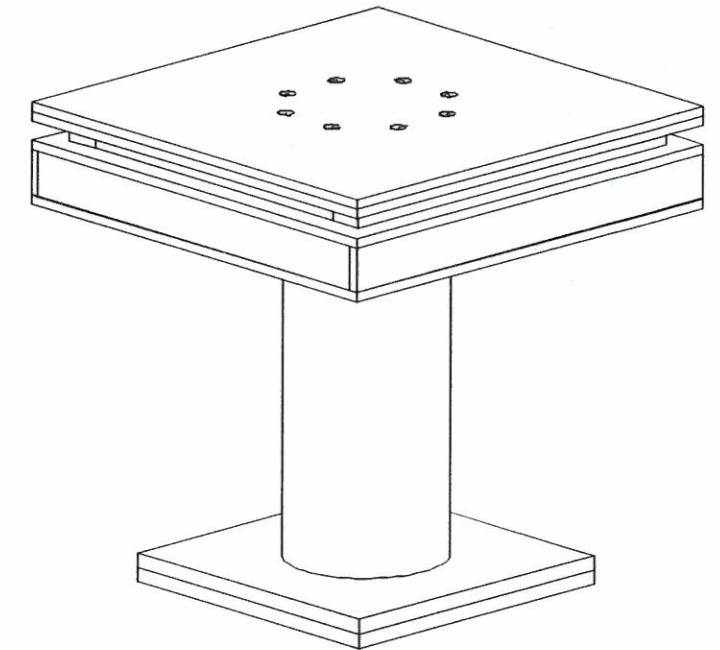
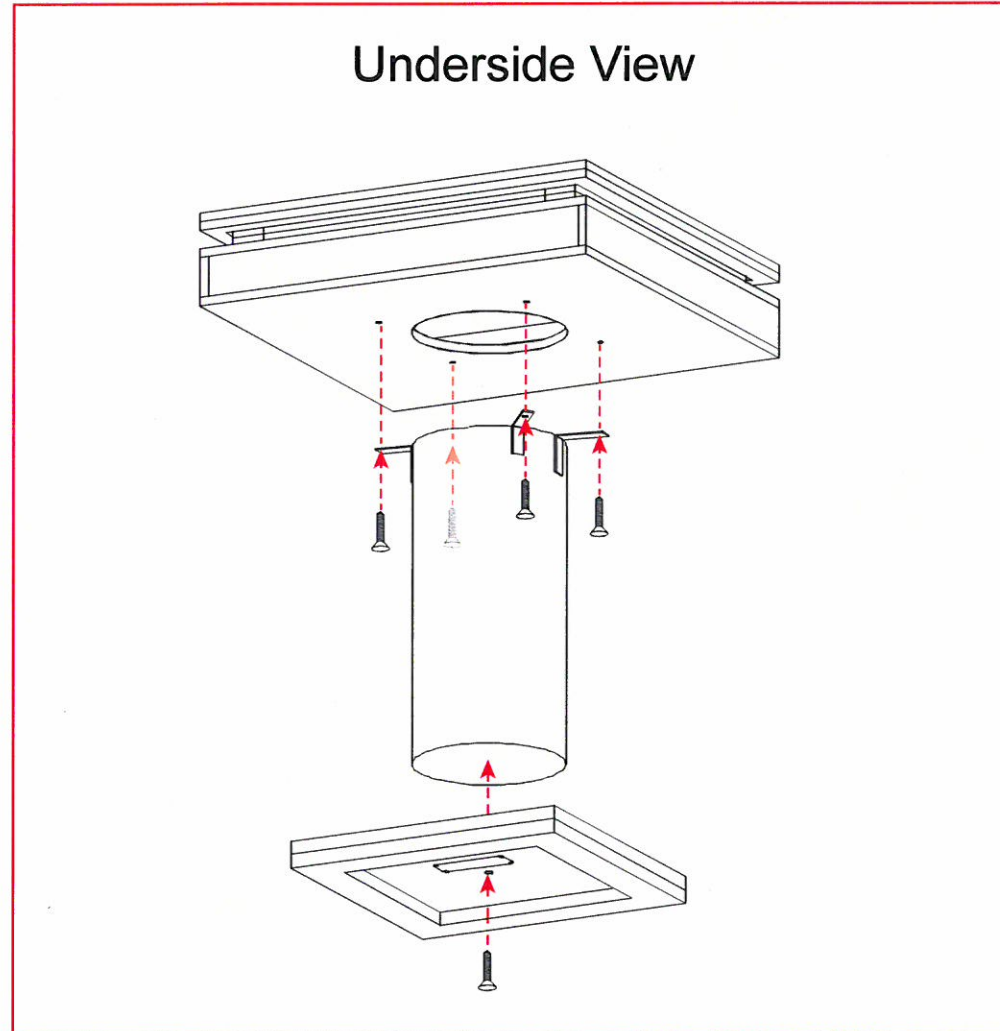


visionary™ DESIGNS



Steps:

- 1) Connect Base to Center Post
- 2) Connect Tabletop to Center Post with brackets.



When assembled

WHEN DISASSEMBLING ALUMINUM EXTRUSION, TIGHTEN ALL SETSCREWS AND LOCKS TO PREVENT LOSS DURING SHIPPING